

1

DESCRIPTION

Class 2 power supply unit used for supplying power to 27V (nominal) devices. It is designed for installation in UL Listed DIN mount enclosures.

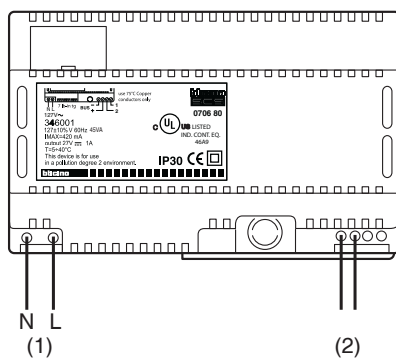
FEATURES

- Power supply: 127Va.c. ± 10% 60Hz
- Output: two wires
- Maximum current supplied: 1A
- Rated voltage in output 27Vdc +/- 2%
- Operating temperature: (+5 ÷ +40)°C

2

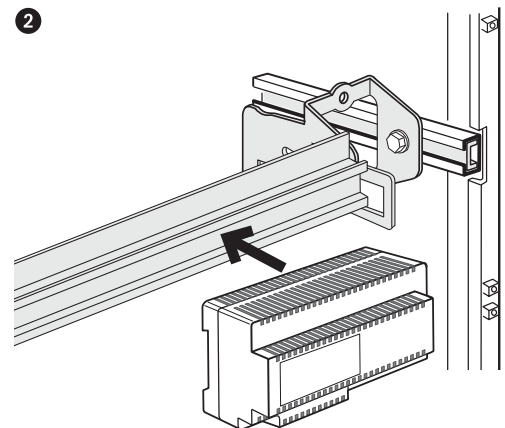
INSTALLATION

1



Connect the 127 V a.c. power cables to the terminals (1) and the BUS to the terminals (2).

2



Install the power supply inside of the electrical cabinet.

3



CAUTION
Install in compliance with all applicable codes and standards.

- Temperatura di funzionamento 5 – 40 °C
- Grado di protezione IP30
- Operating temperature 5 – 40 °C
- IP30 degree of protection
- Température de fonctionnement 5 – 40 °C
- Degré de protection IP30
- Betriebstemperatur 5 – 40 °C
- Schutzklasse IP30
- Temperatura de funcionamiento 5 – 40 °C
- Grado de protección IP30
- Bedrijfstemperatuur 5 – 40 °C
- Beschermingsklasse IP30
- Temperatura de funcionamento 5 – 40 °C
- Grau de protecção IP30
- Θερμοκρασία λειτουργίας 5 – 40 °C
- Βαθμός προστασίας IP30
- Рабочая температура 5 – 40 °C
- Степень защиты IP30
- İşleme sıcaklığı 5 – 40 °C
- Koruma derecesi IP30
- Temperatura robocza 5 – 40 °C
- Stopień zabezpieczenia IP30
- درجة حرارة التشغيل ما بين 5 - 40 درجة مئوية
- درجة الحماية IP30

