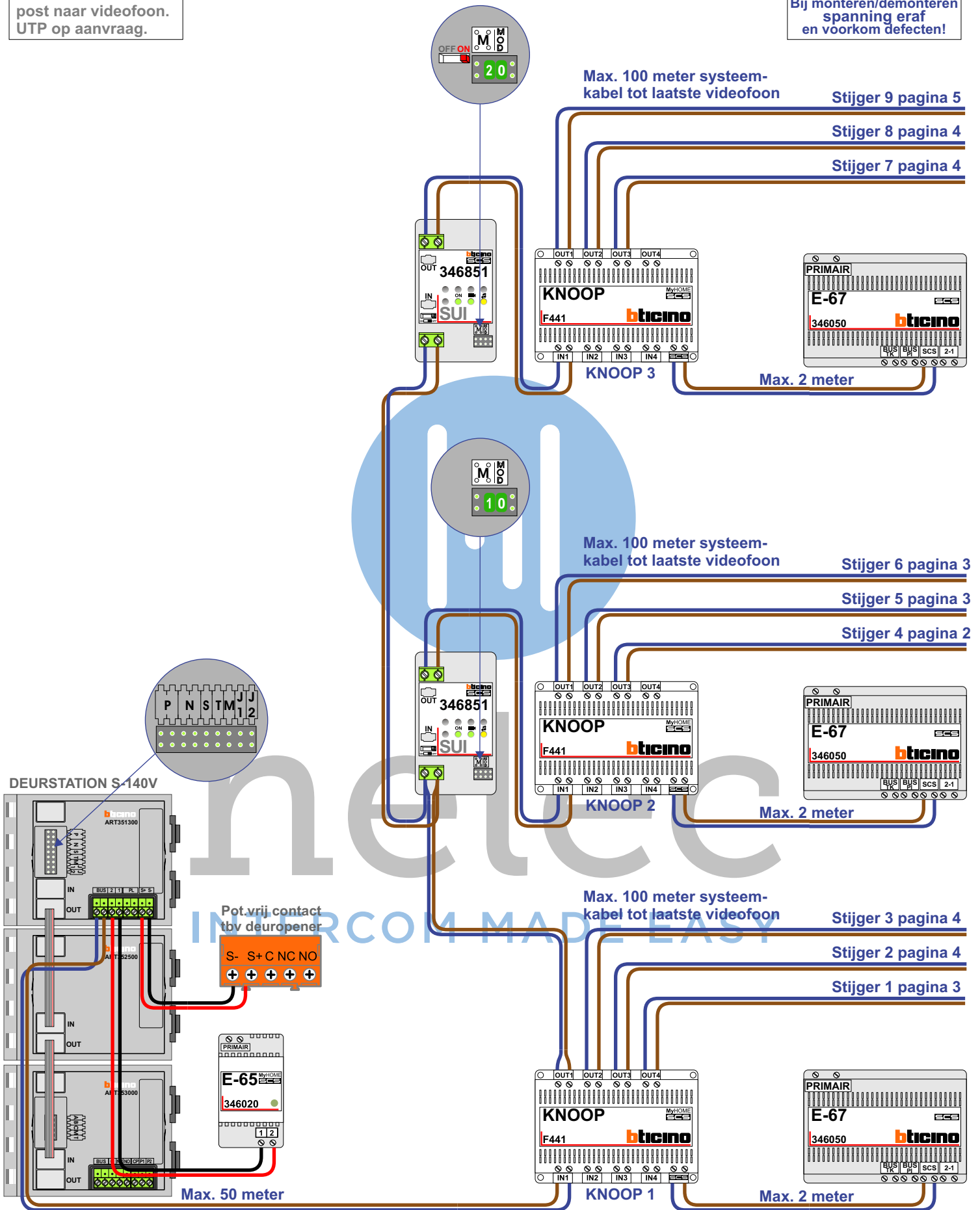


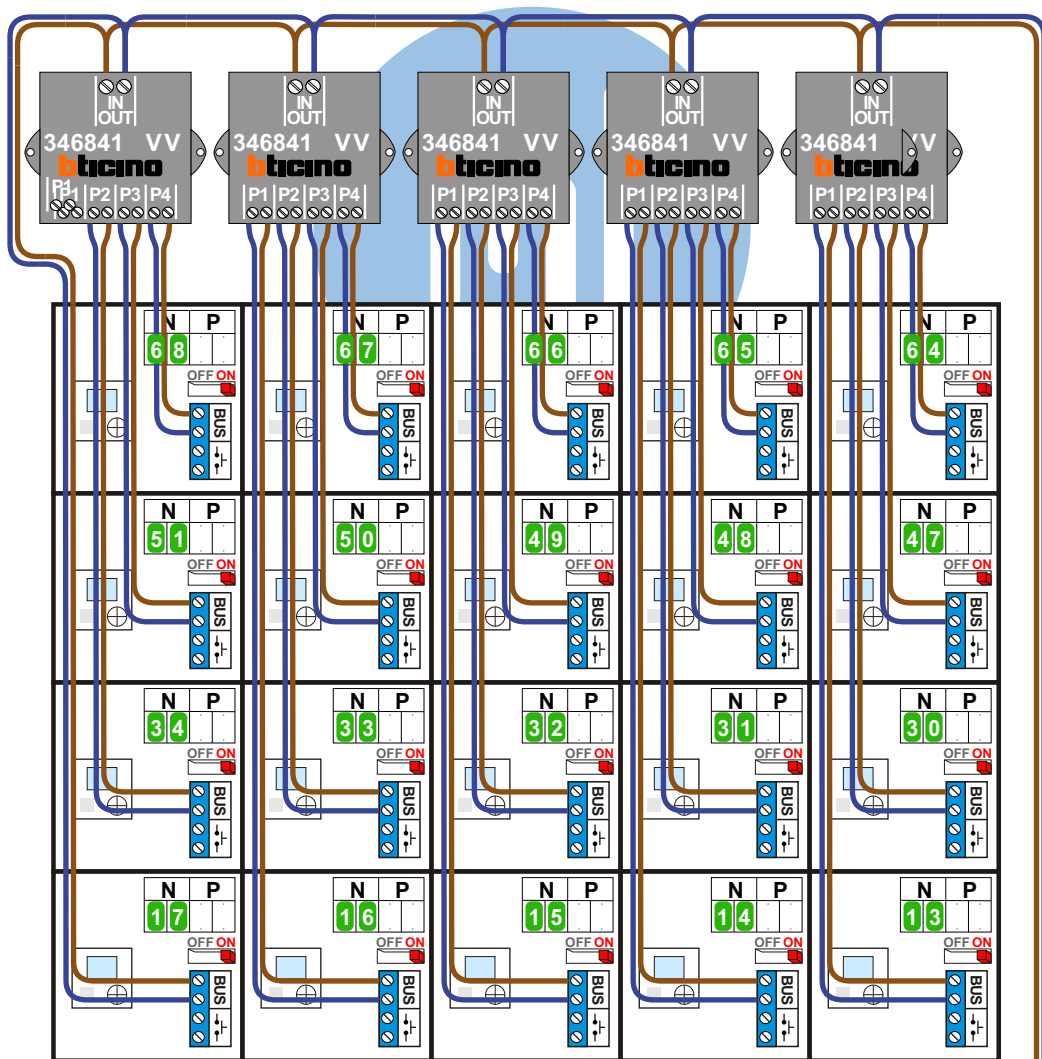
**— = systeemkabel**  
Bij andere getwiste kabel 66% afstand!  
Bij ongetwiste kabel max. 50 meter buitenpost naar videofoon. UTP op aanvraag.

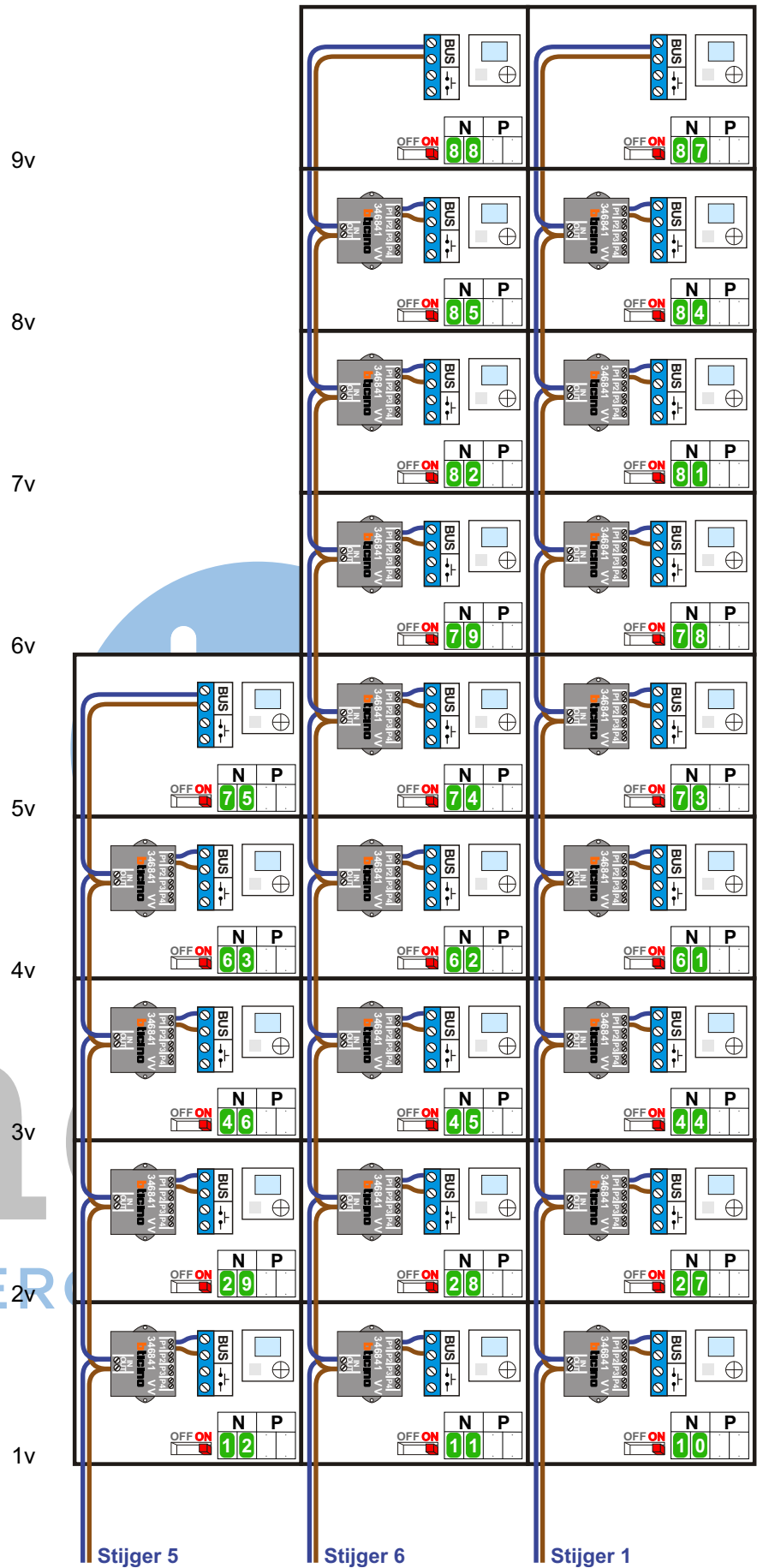
**BUS 2-DRAADS**



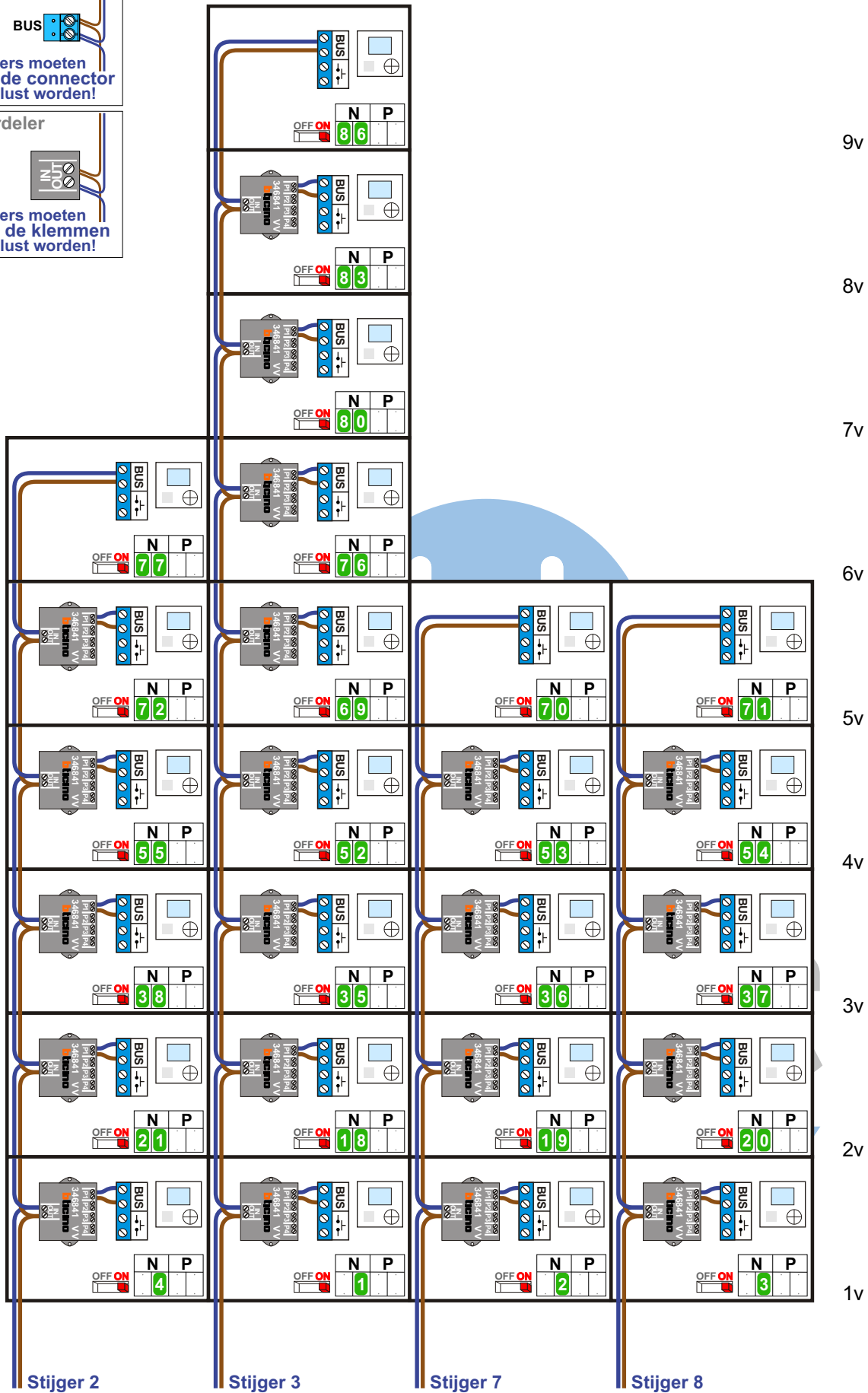
Bij monteren/demonteren spanning eraf en voorkom defecten!

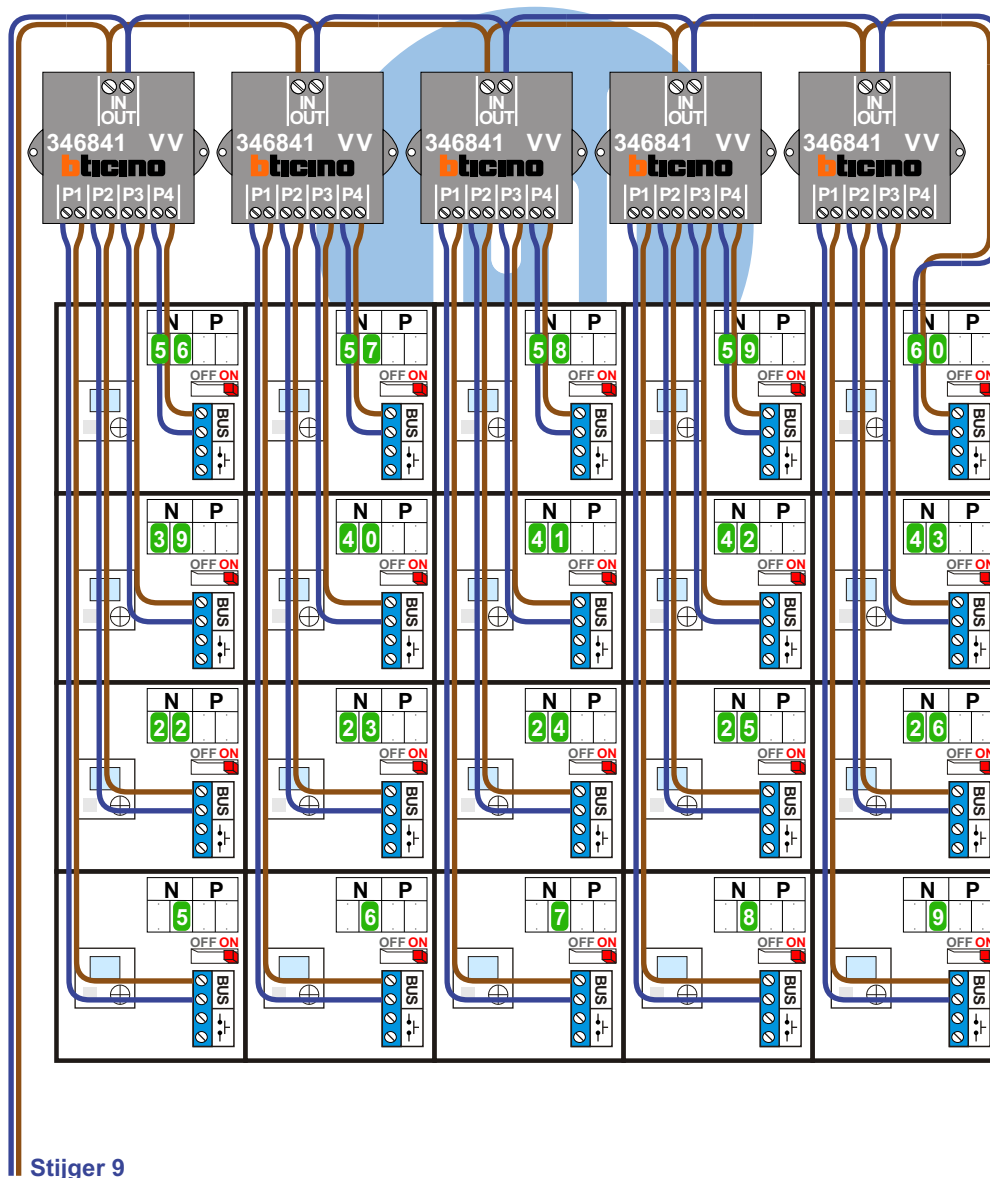
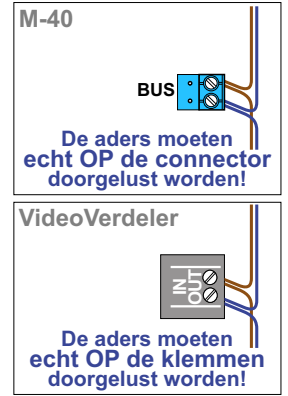






n  
INTERCOM





| N-waarde | Huisnummer | Switch ON |  | N-waarde | Huisnummer | Switch ON |
|----------|------------|-----------|--|----------|------------|-----------|
| 1        | 300        | X         |  | 45       | 344        | X         |
| 2        | 301        | X         |  | 46       | 345        | X         |
| 3        | 302        | X         |  | 47       | 346        | X         |
| 4        | 303        | X         |  | 48       | 347        | X         |
| 5        | 304        | X         |  | 49       | 348        | X         |
| 6        | 305        | X         |  | 50       | 349        | X         |
| 7        | 306        | X         |  | 51       | 350        | X         |
| 8        | 307        | X         |  | 52       | 351        | X         |
| 9        | 308        | X         |  | 53       | 352        | X         |
| 10       | 309        | X         |  | 54       | 353        | X         |
| 11       | 310        | X         |  | 55       | 354        | X         |
| 12       | 311        | X         |  | 56       | 355        | X         |
| 13       | 312        | X         |  | 57       | 356        | X         |
| 14       | 313        | X         |  | 58       | 357        | X         |
| 15       | 314        | X         |  | 59       | 358        | X         |
| 16       | 315        | X         |  | 60       | 359        | X         |
| 17       | 316        | X         |  | 61       | 360        | X         |
| 18       | 317        | X         |  | 62       | 361        | X         |
| 19       | 318        | X         |  | 63       | 362        | X         |
| 20       | 319        | X         |  | 64       | 363        | X         |
| 21       | 320        | X         |  | 65       | 364        | X         |
| 22       | 321        | X         |  | 66       | 365        | X         |
| 23       | 322        | X         |  | 67       | 366        | X         |
| 24       | 323        | X         |  | 68       | 367        | X         |
| 25       | 324        | X         |  | 69       | 368        | X         |
| 26       | 325        | X         |  | 70       | 369        | X         |
| 27       | 326        | X         |  | 71       | 370        | X         |
| 28       | 327        | X         |  | 72       | 371        | X         |
| 29       | 328        | X         |  | 73       | 372        | X         |
| 30       | 329        | X         |  | 74       | 373        | X         |
| 31       | 330        | X         |  | 75       | 374        | X         |
| 32       | 331        | X         |  | 76       | 375        | X         |
| 33       | 332        | X         |  | 77       | 376        | X         |
| 34       | 333        | X         |  | 78       | 377        | X         |
| 35       | 334        | X         |  | 79       | 378        | X         |
| 36       | 335        | X         |  | 80       | 379        | X         |
| 37       | 336        | X         |  | 81       | 380        | X         |
| 38       | 337        | X         |  | 82       | 381        | X         |
| 39       | 338        | X         |  | 83       | 382        | X         |
| 40       | 339        | X         |  | 84       | 383        | X         |
| 41       | 340        | X         |  | 85       | 384        | X         |
| 42       | 341        | X         |  | 86       | 385        | X         |
| 43       | 342        | X         |  | 87       | 386        | X         |
| 44       | 343        | X         |  | 88       | 387        | X         |

INTERCOM MADE EASY